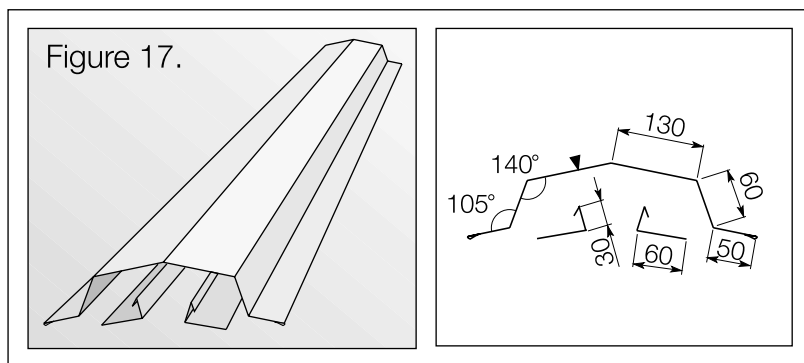
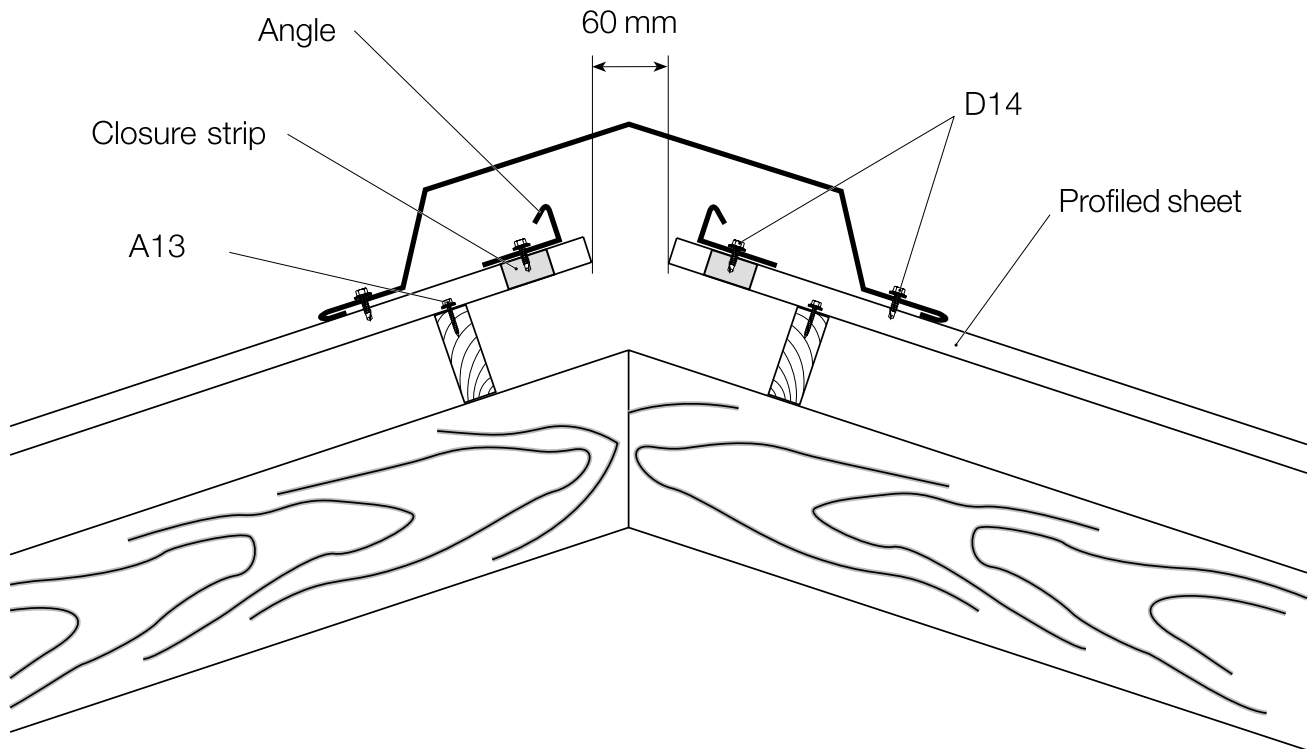


Ventilation ridge

INSTALATION GUIDE



Ventilation ridge with angle.